

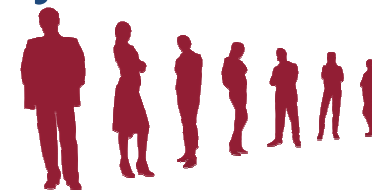


Current Status of NEXOF Reference Architecture

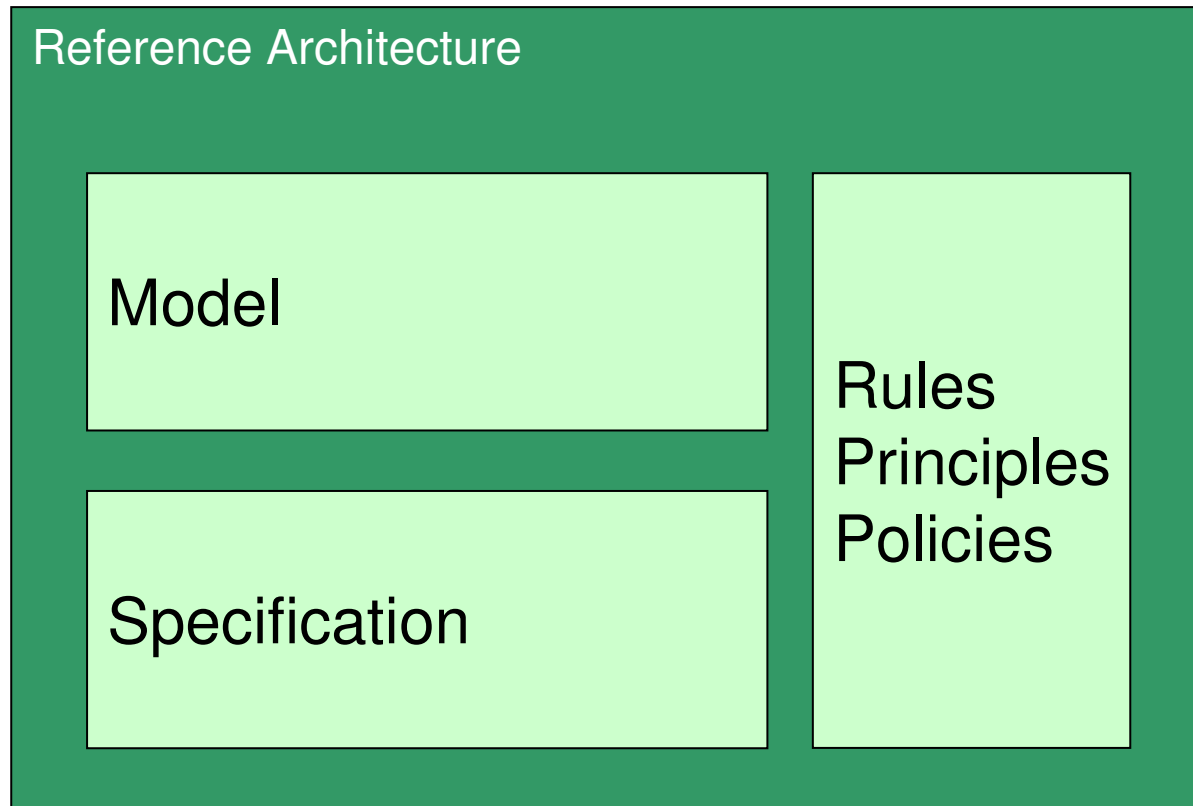
Collaboration on Service Architectures meeting

NEXOF-RA Investigation Teams Cycle 2
kick-off meeting

Brussels, 23 March 2009



Structure Starting Point

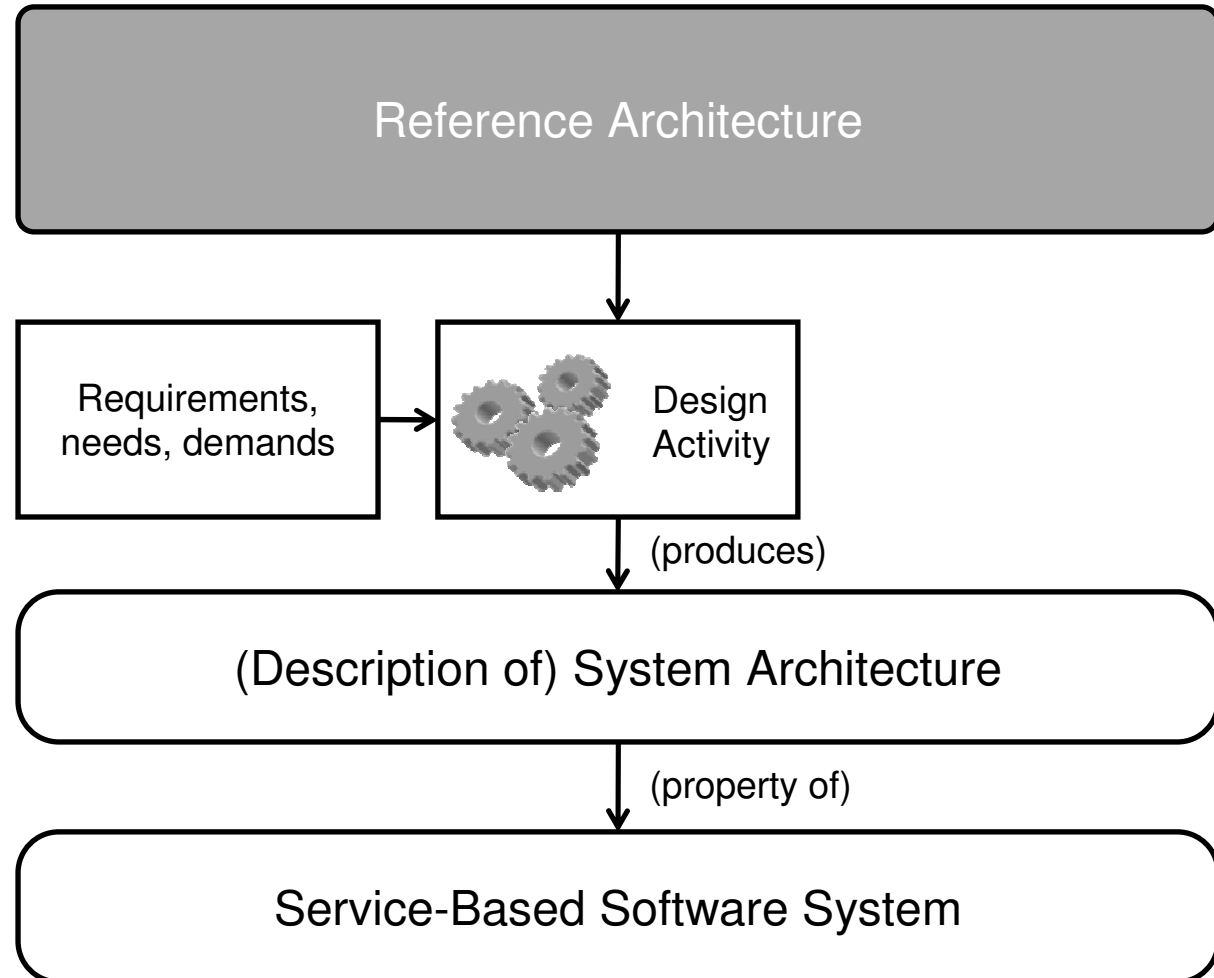


REMAINS VALID
Supplemented by Refined View contributing to 

Architectural Approach

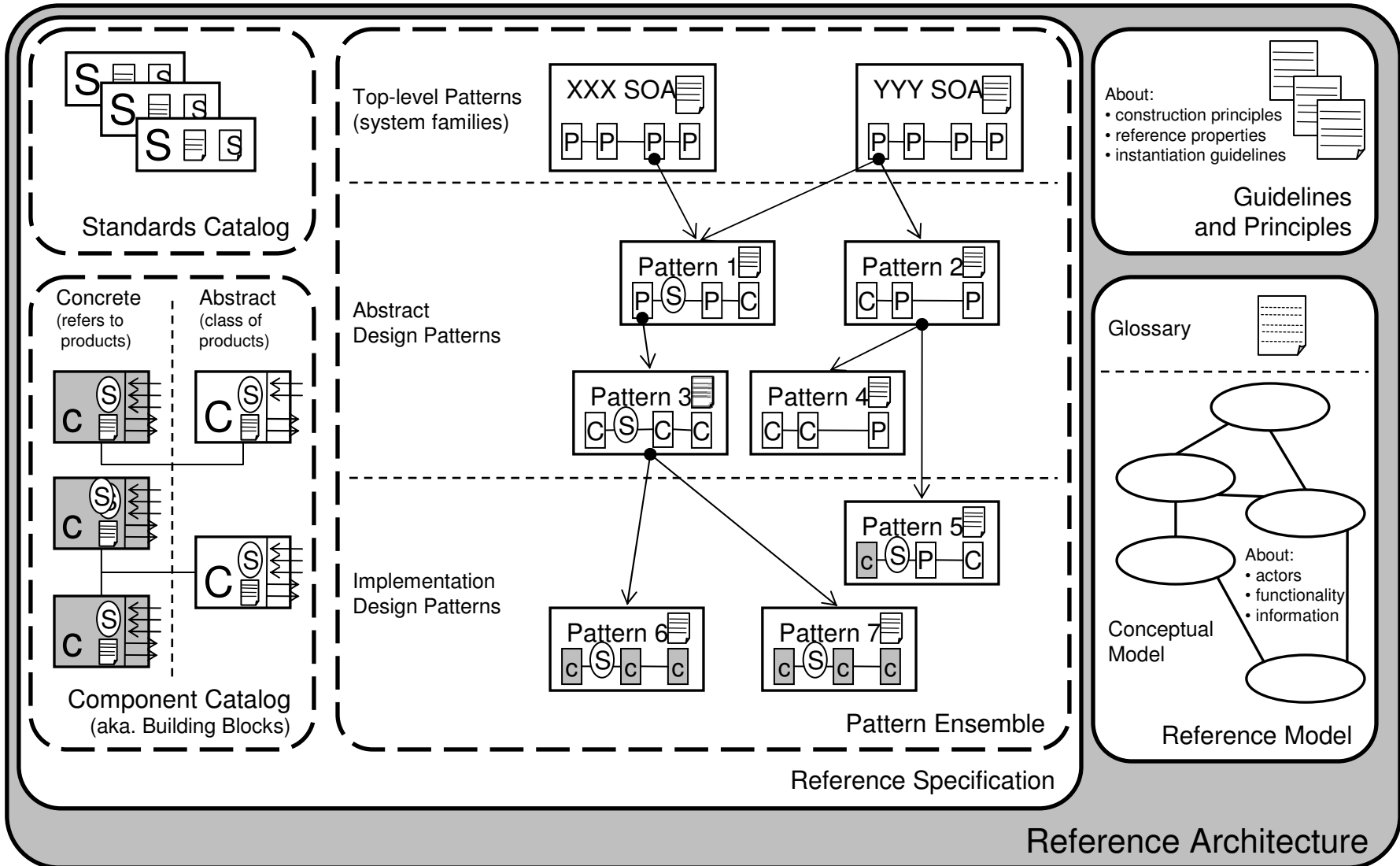
**EXISTING CONCEPT
NEW PICTURE**

We are defining a
Reference
Architecture

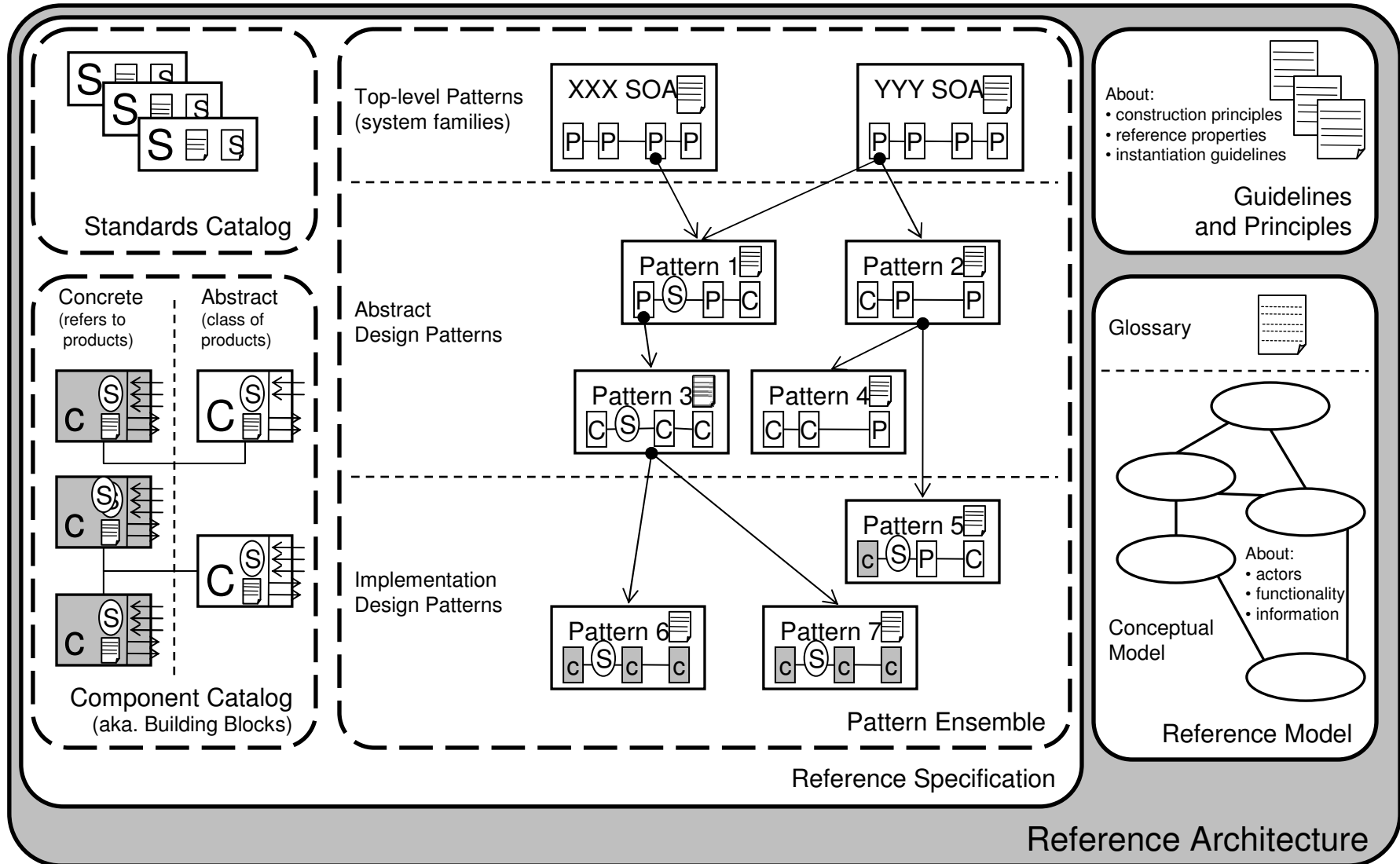


- Basic elements in Specification:
 - Component
 - lowest-granularity (functional) element
 - coherent set of functionality
 - (roughly) maps to software product/component
 - aka. building block
 - Pattern
 - one simple way to realize some functionality
 - combines components and other patterns
- Both can be abstract or concrete

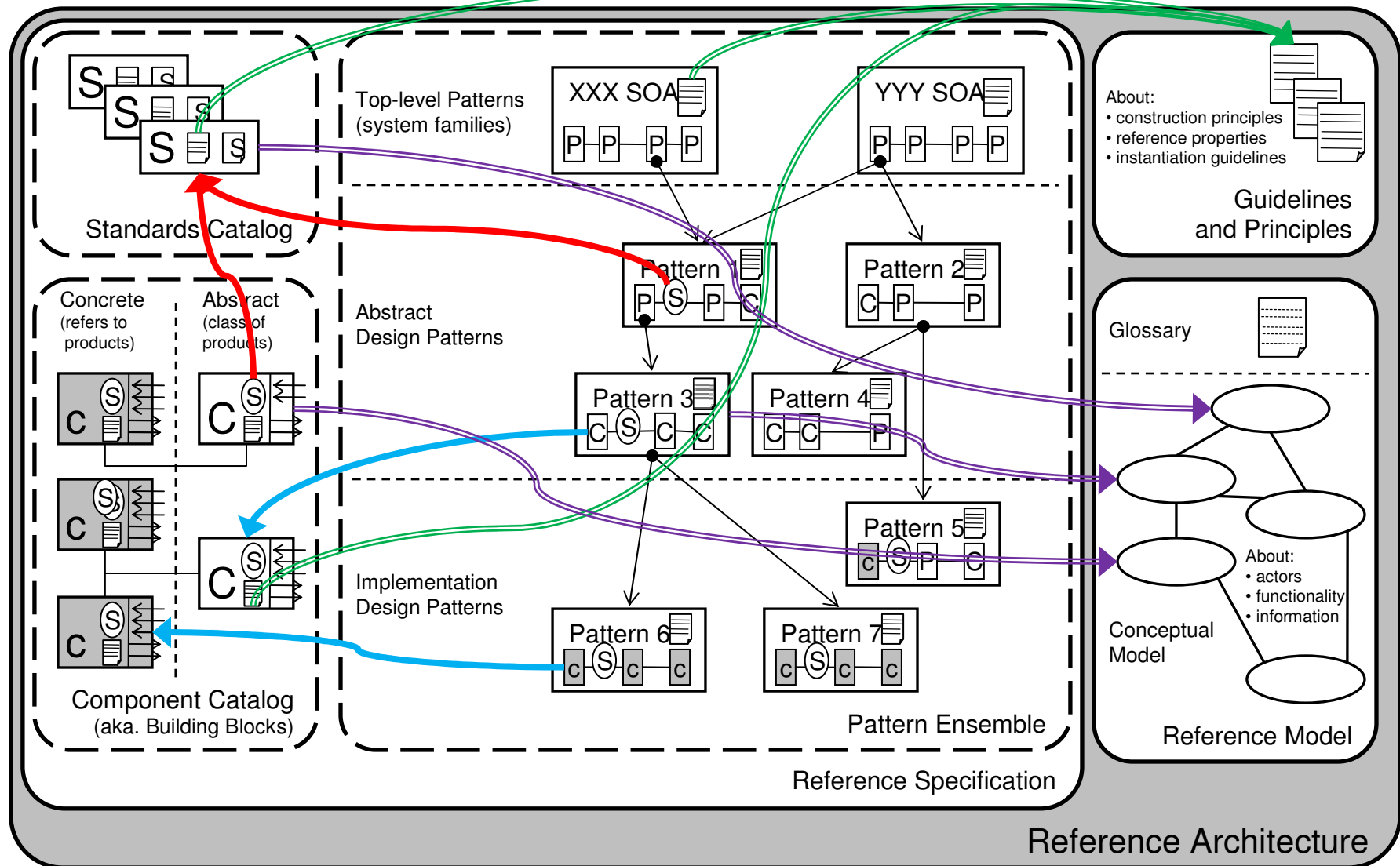
Architecture Content



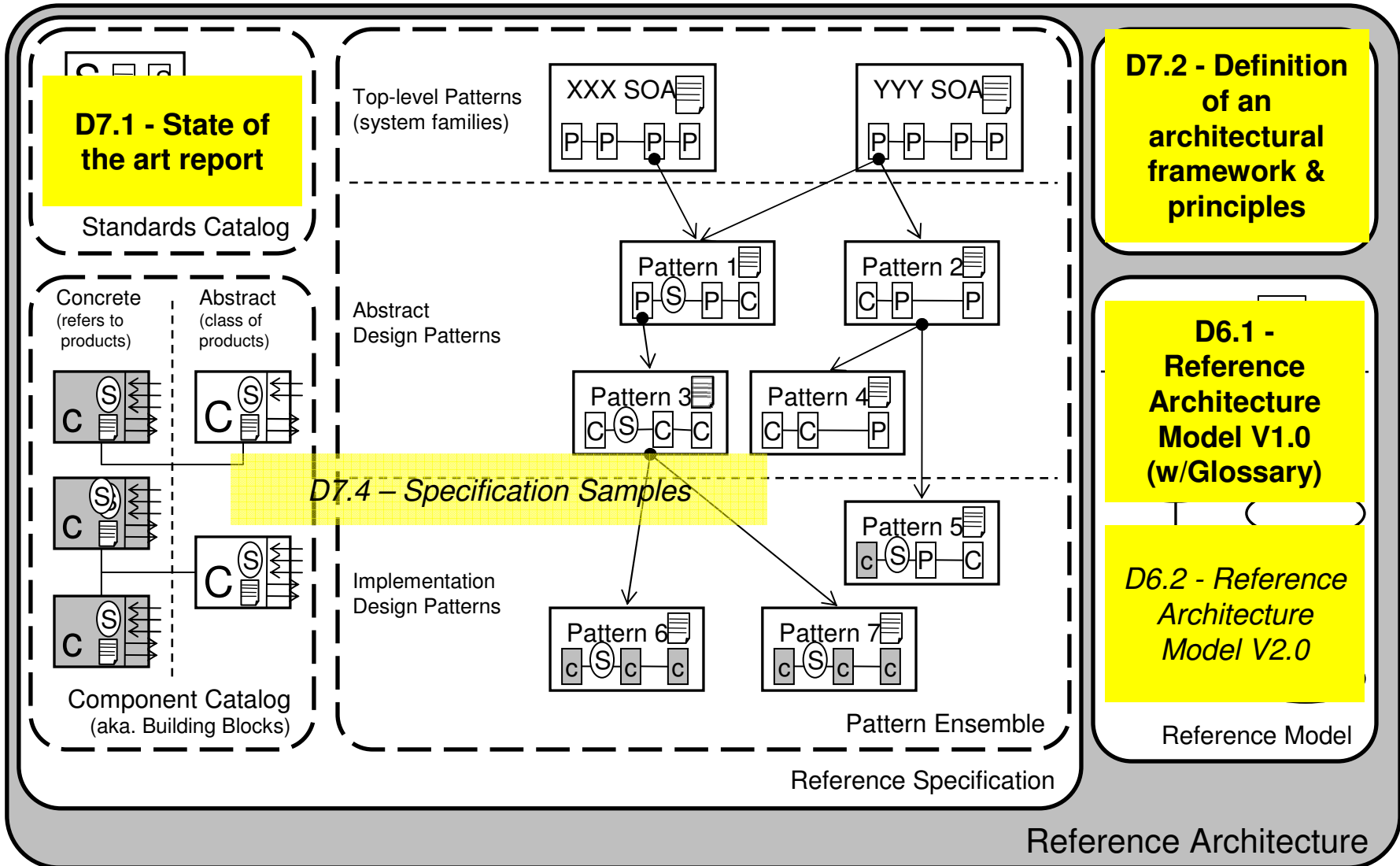
Architecture Content



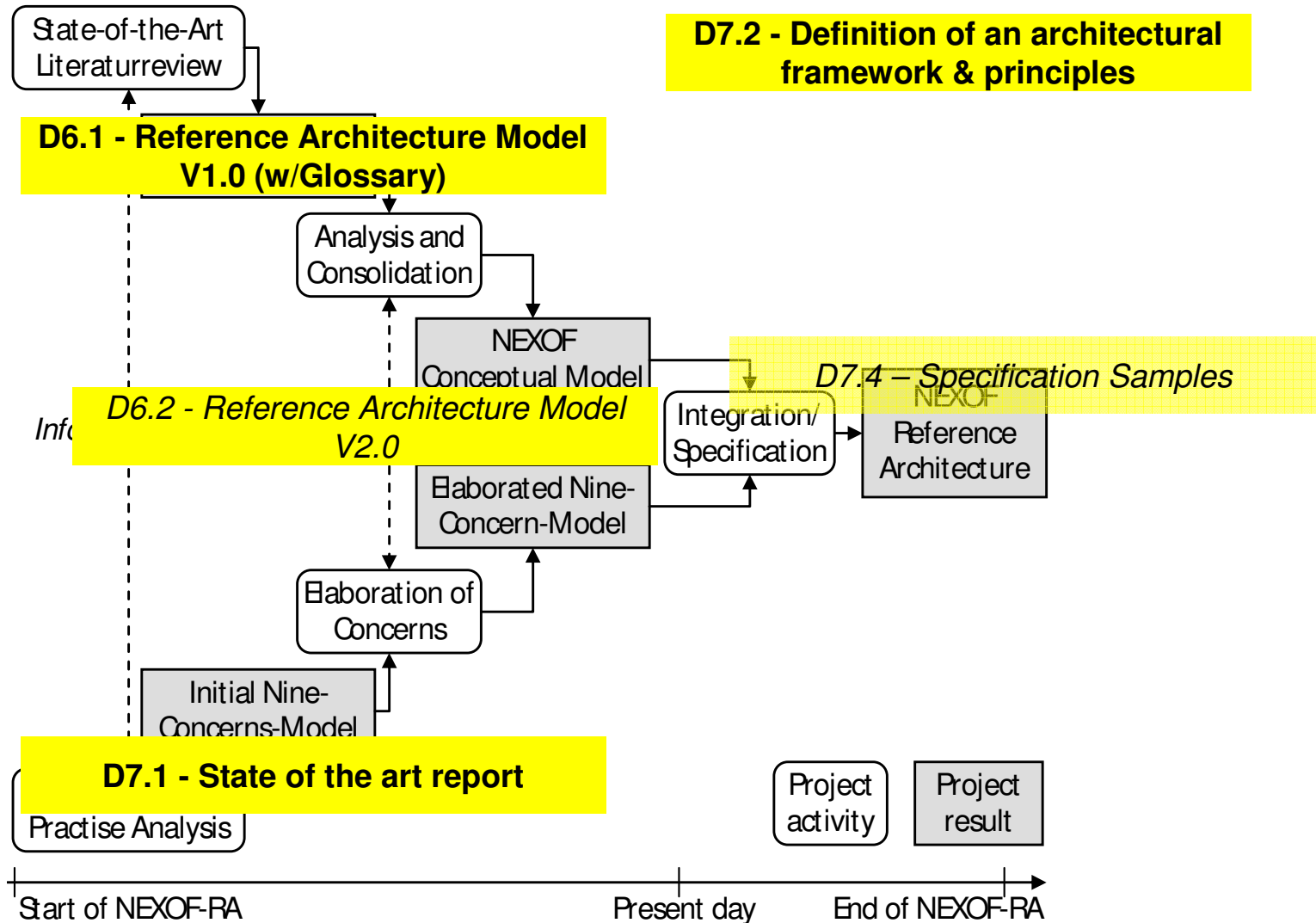
Architecture Content



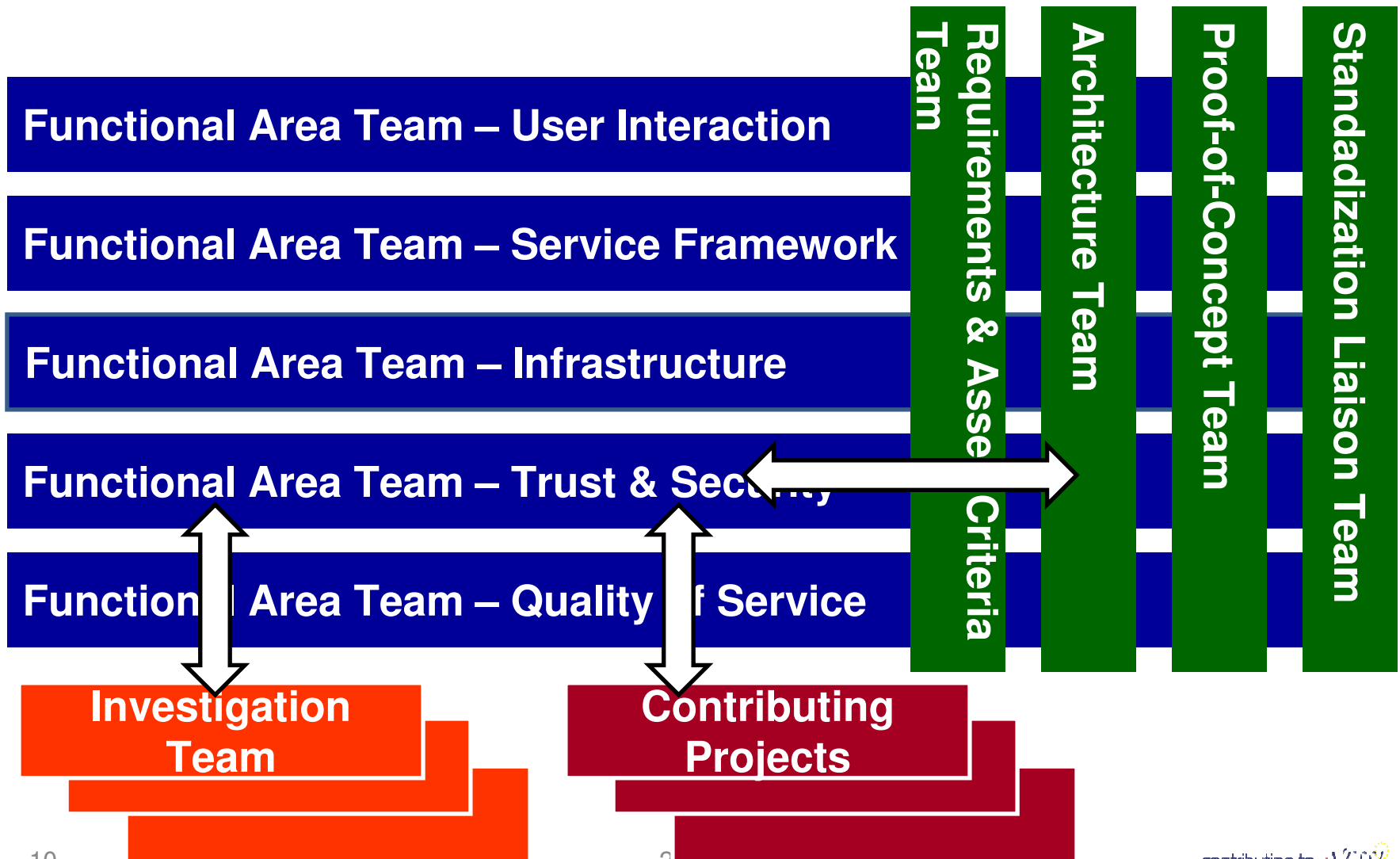
Architecture Content



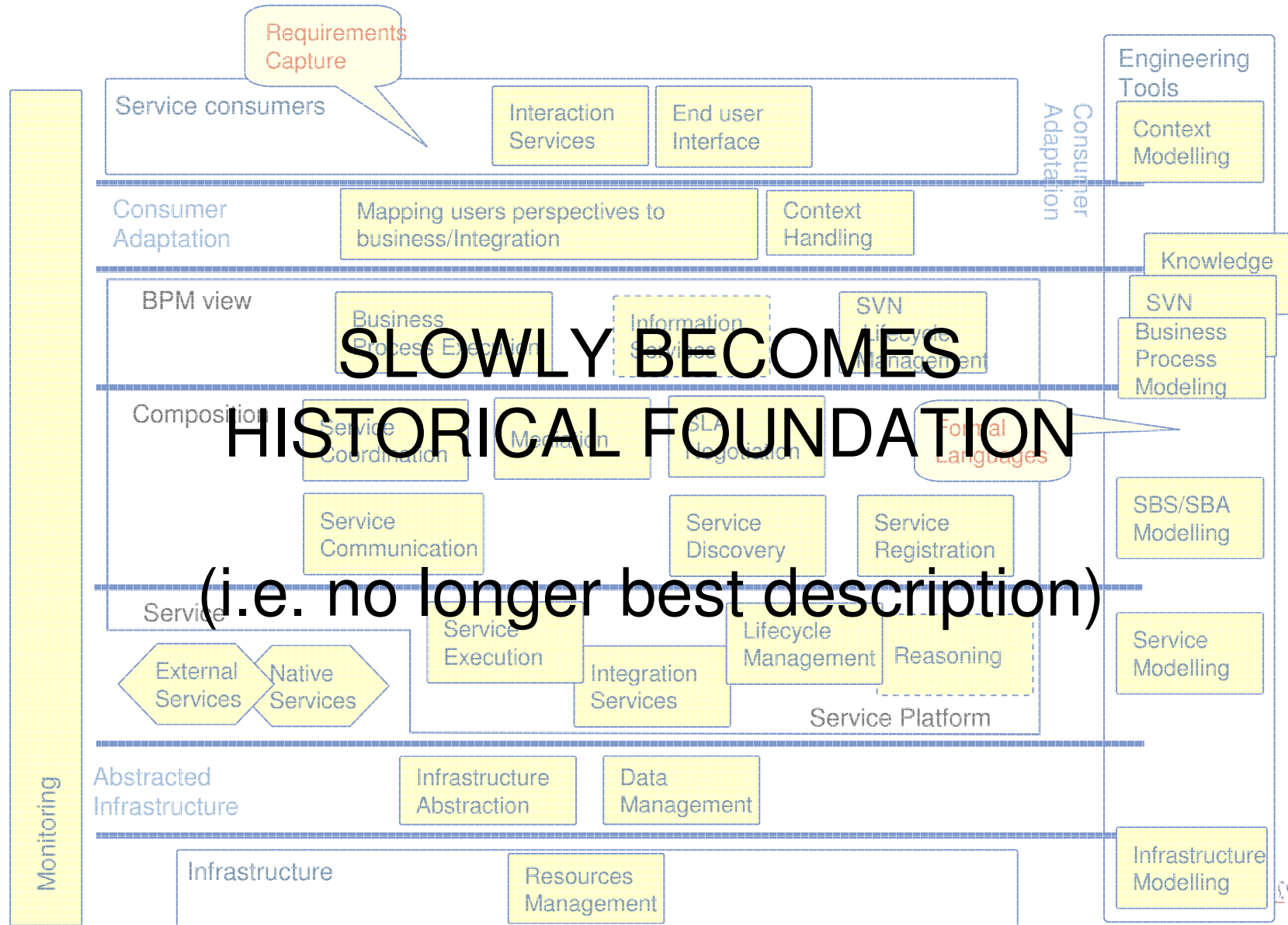
RA – Timeline View



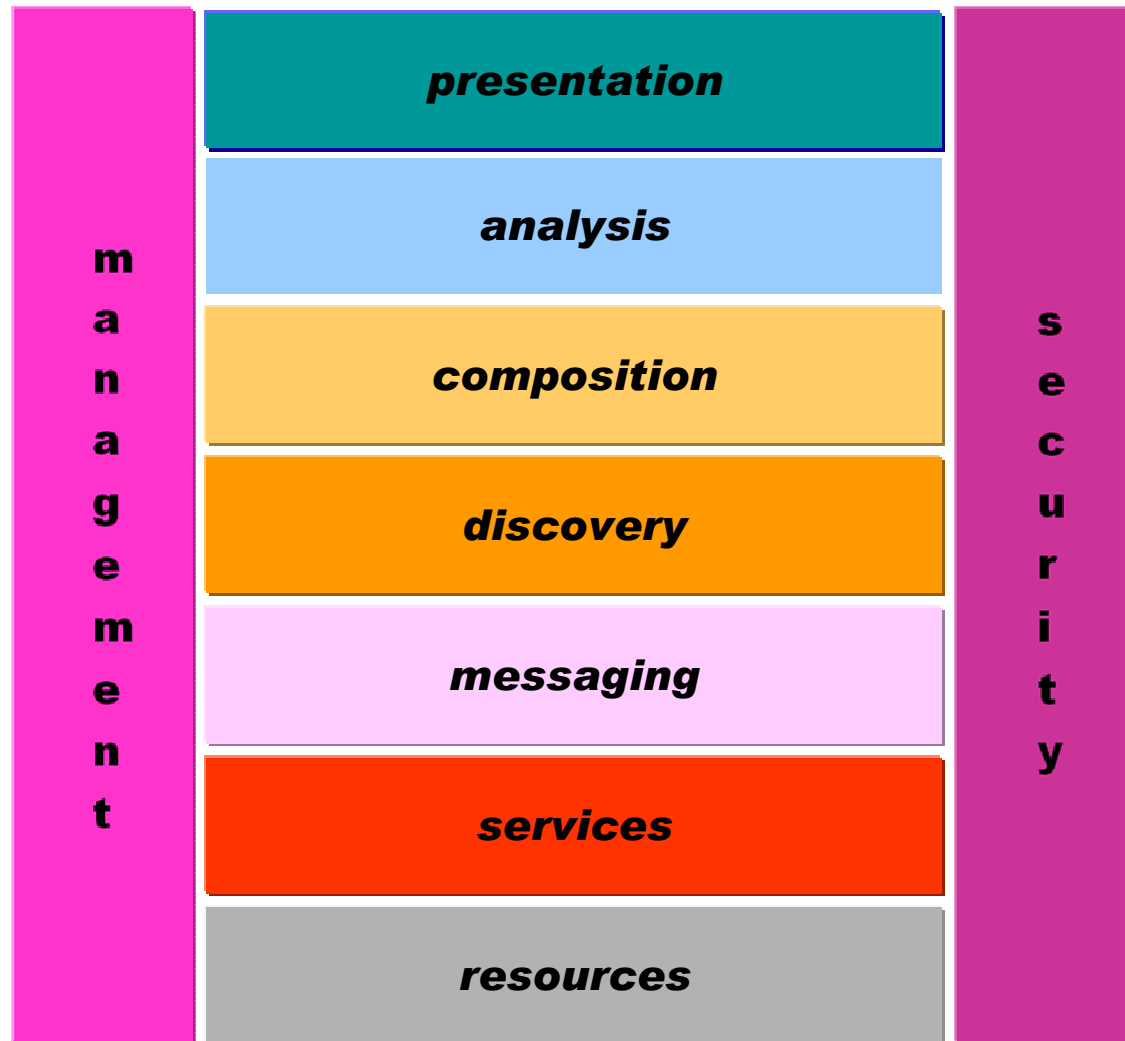
RA Construction Structure



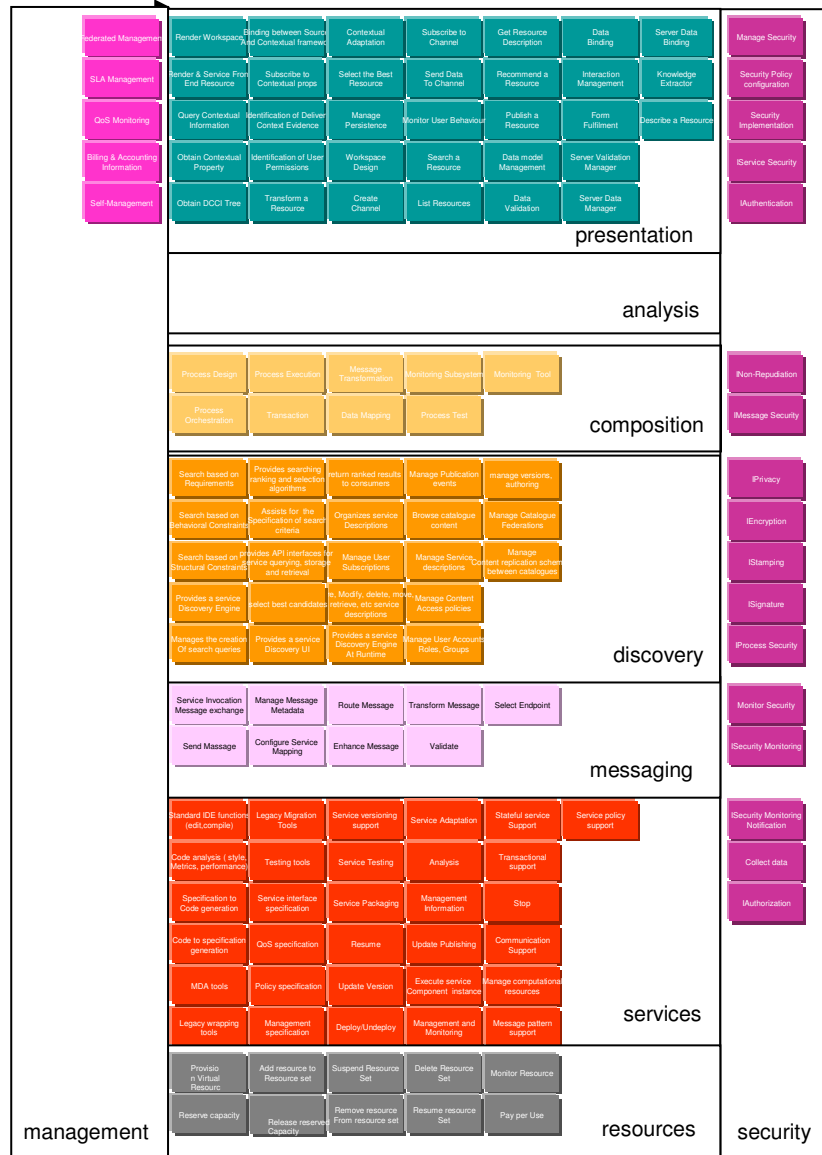
Technical Starting Point



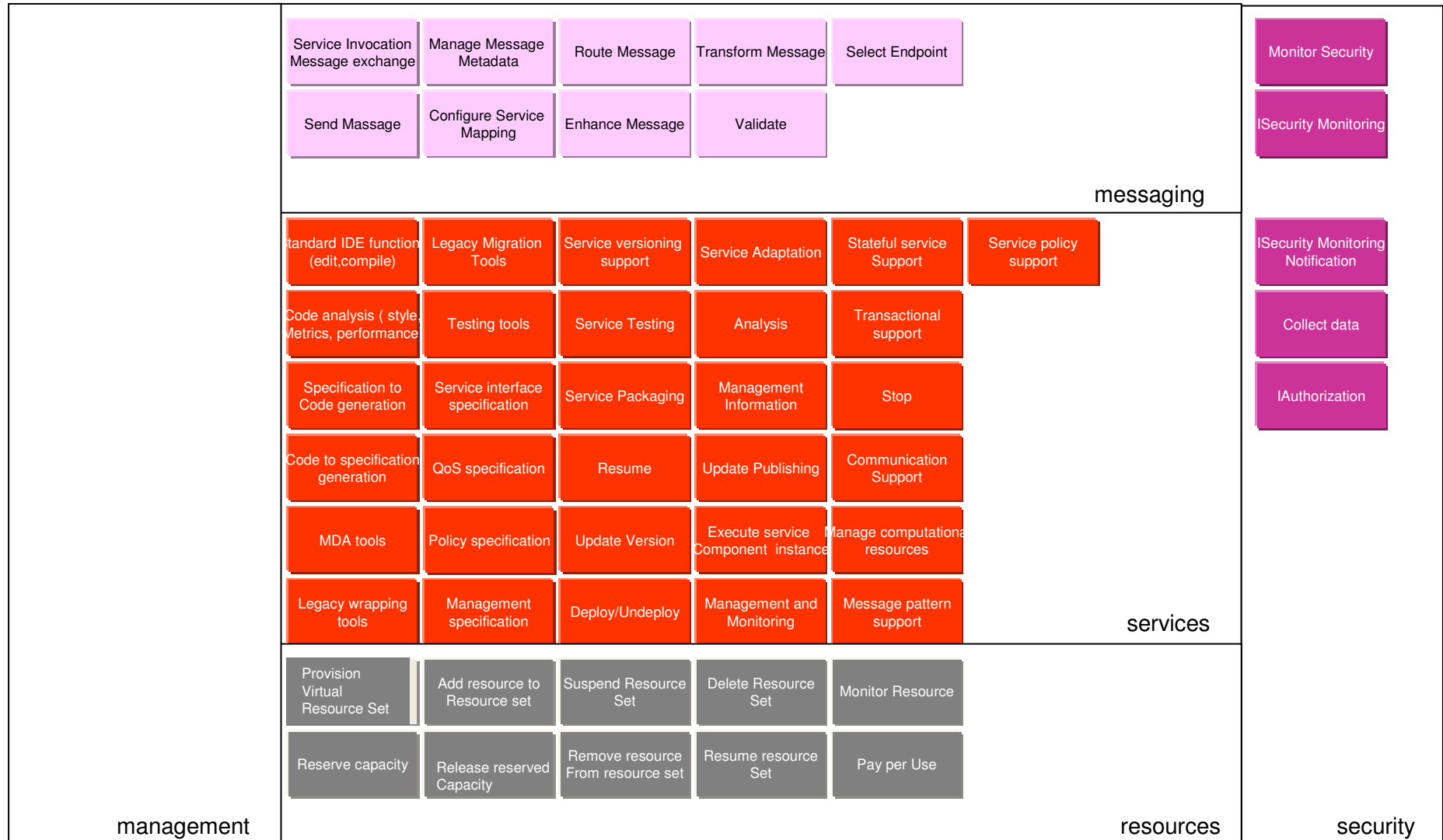
9 Concerns



Filling-in the model



Filling-in the Model



Filling-in the Model

